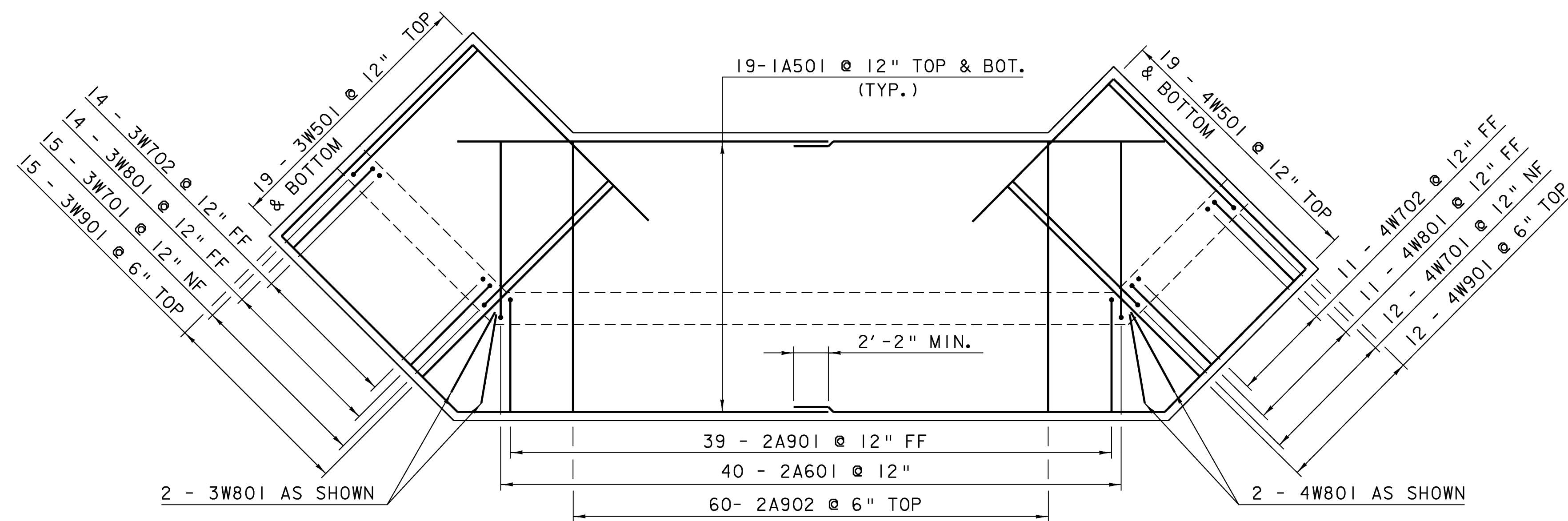


ABUTMENT NO. 1 FOOTING REINFORCING PLAN

SCALE $\frac{3}{16}'' = 1'-0$
 1 0 2 4 6 8



ABUTMENT NO. 2 FOOTING REINFORCING PLAN

SCALE $\frac{3}{16}'' = 1'-0$
 1 0 2 4 6 8

NOTE:

- NF = NEAR FACE
- FF = FAR FACE
- EF = EACH FACE
- ▲ = CUT TO FIT IN FIELD
- 3" CLEAR, UNLESS OTHERWISE SPECIFIED ON THE PLANS.
- 2'-2" BAR LAP UNLESS OTHERWISE SPECIFIED ON THE PLANS.

FOOTING REINFORCING PLAN

PROJECT NAME: CANAAN
 PROJECT NUMBER: ER ST 0271(16)

FILE NAME: 04c098/struc./s04c098sup PLOT DATE: 18-AUG-2008
 PROJECT LEADER: M. EVANS-MONGEON DRAWN BY: C. JOLLY
 DESIGNED BY: S. SCRIBNER CHECKED BY: S. SCRIBNER
 SHEET 46 OF 66